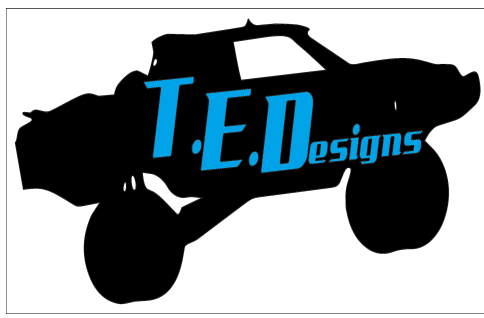


UNLESS OTHERWISE SPECIFIED

UNITS ARE IN INCHES
 TOLERANCES:
 DECIMAL X.XX ±0.03
 DECIMAL X.XXX ±0.005
 ANGULAR X° ±0.5

INTERPRET GEOMETRIC
 TOLERANCING PER: ASME Y14.5

CONFIDENTIAL AND PROPRIETARY
 THE INFORMATION CONTAINED IN THIS DRAWING IS
 THE SOLE PROPERTY OF MIDNIGHT 4X4 LLC &
 SIMMONS INDUSTRIES LLC. ANY REPRODUCTION IN
 PART OR AS A WHOLE WITHOUT WRITTEN CONSENT IS
 PROHIBITED.

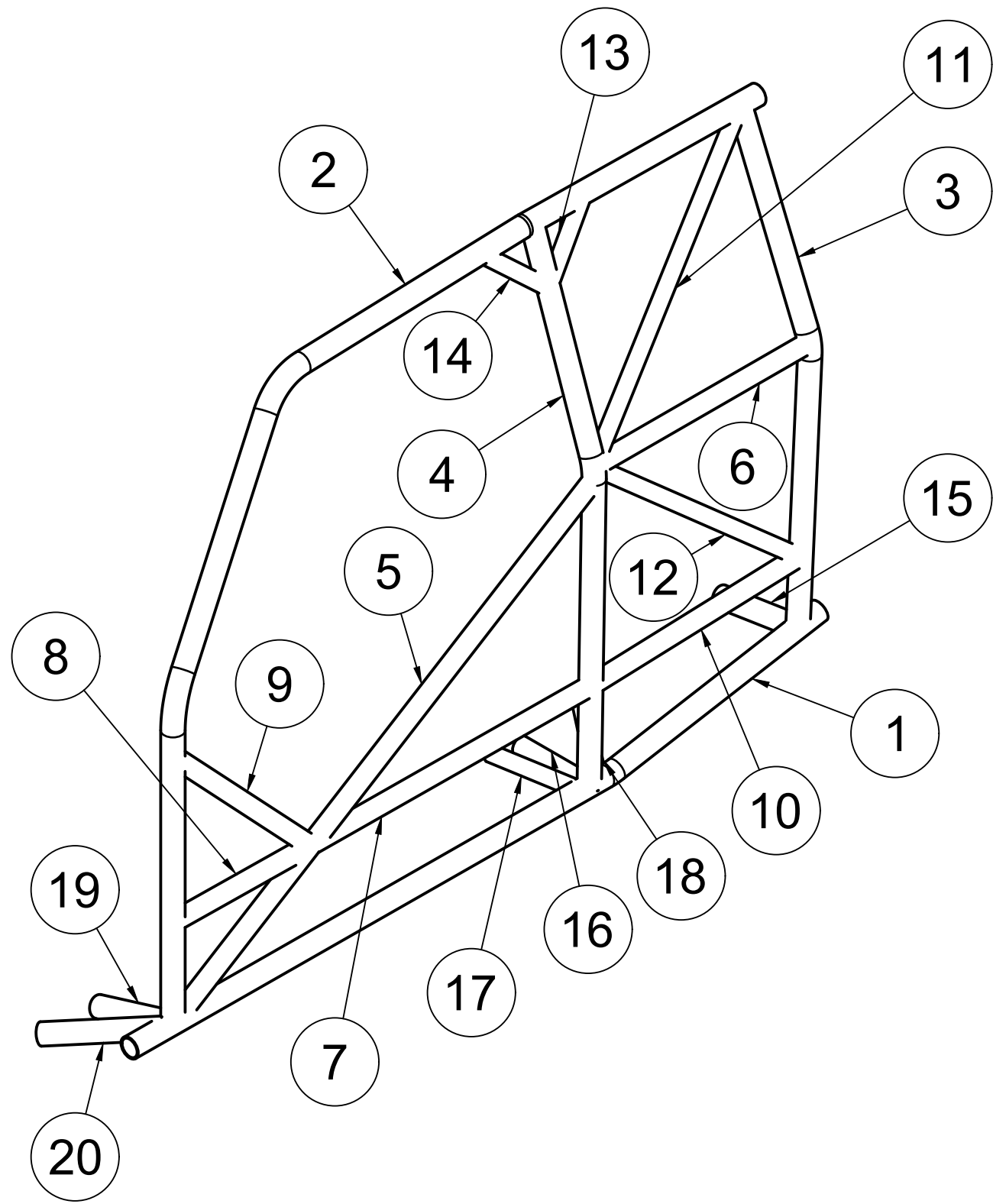


APPROVED
 CHECKED
 DRAWN J. M. Simmons 1/9/2019

PROJECT

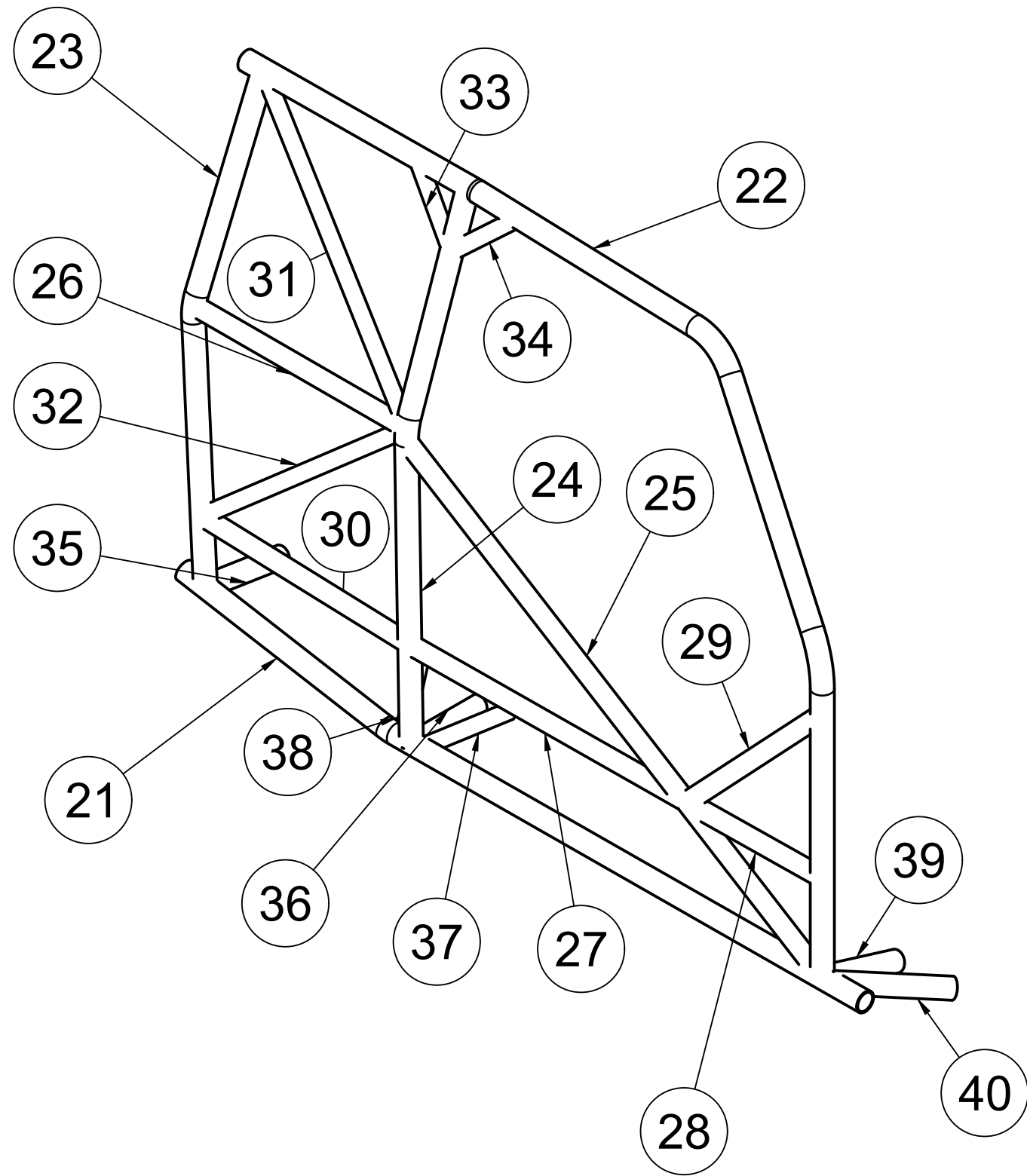
TITLE
Chevy Ext Race Cage

SIZE	CODE	DWG NO	REV
B			
SCALE 1:15		WEIGHT	SHEET 1/5



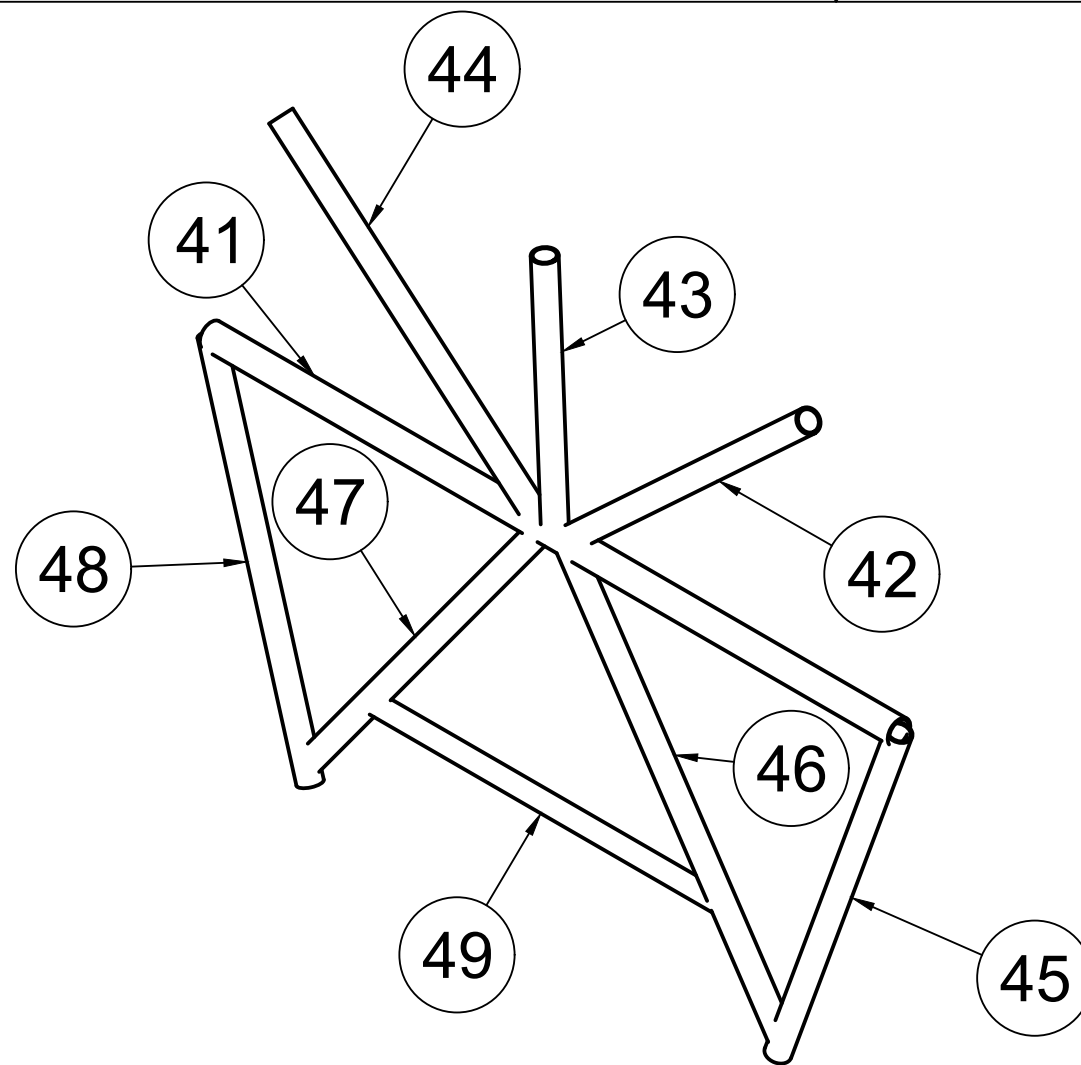
PARTS LIST		
ITEM	PART NUMBER	DESCRIPTION
1	A1	2.00 X .120 DOM
2	A2	2.00 X .120 DOM
3	A3	2.00 X .120 DOM
4	A4	2.00 X .120 DOM
5	A5	1.75 X .120 DOM
6	A6	1.75 X .120 DOM
7	A7	1.75 X .120 DOM
8	A8	1.75 X .120 DOM
9	A9	1.75 X .120 DOM
10	A10	1.75 X .120 DOM
11	A11	1.50 X .120 DOM
12	A12	1.50 X .120 DOM
13	A13	1.50 X .120 DOM
14	A14	1.50 X .120 DOM
15	A15	2.00 X .120 DOM
16	A16	1.75 X .120 DOM
17	A17	1.50 X .120 DOM
18	A18	1.50 X .120 DOM
19	A19	2.00 X .120 DOM
20	A20	2.00 X .120 DOM

		PROJECT		
		TITLE Chevy Ext Race Cage Section A Driver's Side		
APPROVED	SIZE	CODE	DWG NO	REV
CHECKED	B			
DRAWN	J. M. Simmons	1/9/2019	SCALE 1:12	WEIGHT
			SHEET 2/5	

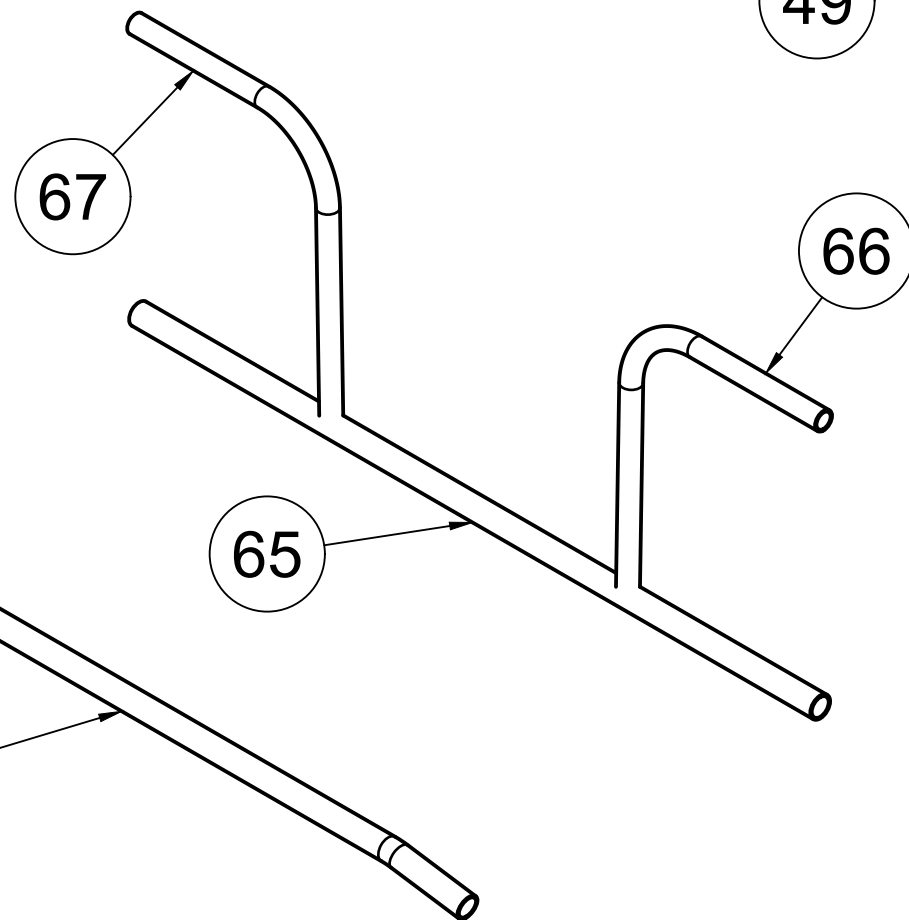


PARTS LIST		
ITEM	PART NUMBER	DESCRIPTION
21	B1	2.00 X .120 DOM
22	B2	2.00 X .120 DOM
23	B3	2.00 X .120 DOM
24	B4	2.00 X .120 DOM
25	B5	1.75 X .120 DOM
26	B6	1.75 X .120 DOM
27	B7	1.75 X .120 DOM
28	B8	1.75 X .120 DOM
29	B9	1.75 X .120 DOM
30	B10	1.75 X .120 DOM
31	B11	1.50 X .120 DOM
32	B12	1.50 X .120 DOM
33	B13	1.50 X .120 DOM
34	B14	1.50 X .120 DOM
35	B15	2.00 X .120 DOM
36	B16	1.75 X .120 DOM
37	B17	1.50 X .120 DOM
38	B18	1.50 X .120 DOM
39	B19	2.00 X .120 DOM
40	B20	2.00 X .120 DOM

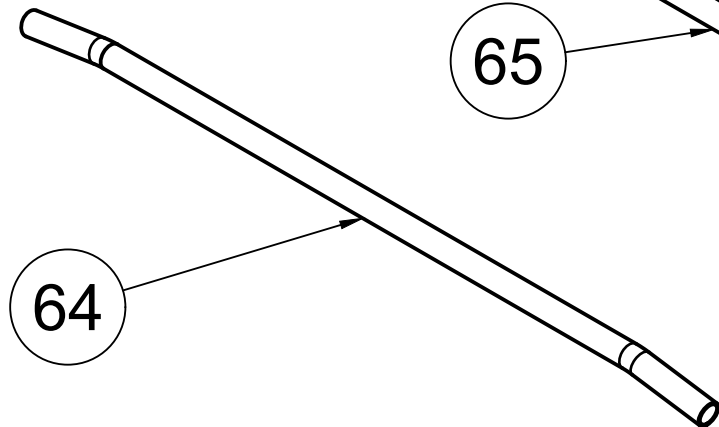
		PROJECT		
		TITLE Chevy Ext Race Cage Section B Passenger Side		
APPROVED	SIZE	CODE	DWG NO	REV
CHECKED	B			
DRAWN	J. M. Simmons	1/9/2019	SCALE 1:12	WEIGHT
			SHEET 3/5	



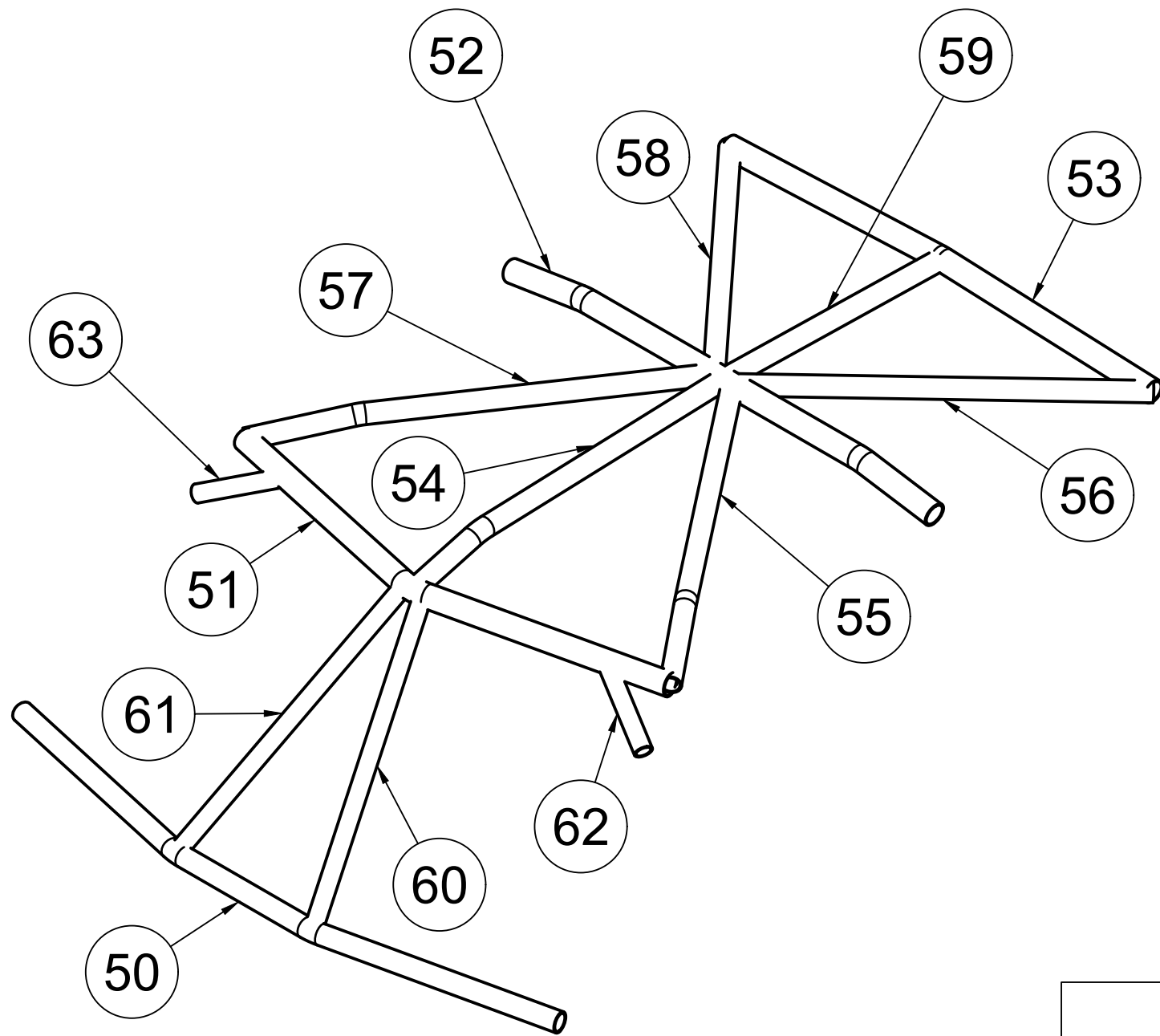
PARTS LIST		
ITEM	PART NUMBER	DESCRIPTION
41	C1	2.00 X .120 DOM
42	C2	1.75 X .120 DOM
43	C3	1.75 X .120 DOM
44	C4	1.75 X .120 DOM
45	C5	1.75 X .120 DOM
46	C6	1.75 X .120 DOM
47	C7	1.75 X .120 DOM
48	C8	1.75 X .120 DOM
49	C9	1.5 X .120 DOM



PARTS LIST		
ITEM	PART NUMBER	DESCRIPTION
64	S1	1.75 X .120 DOM
65	S2	1.75 X .120 DOM
66	S3	1.50 X .120 DOM
67	S4	1.50 X .120 DOM



		PROJECT		
		TITLE Chevy Ext Race Cage Section C & S Rear & Seat Bars		
APPROVED	SIZE	CODE	DWG NO	REV
CHECKED	B			
DRAWN	J. M. Simmons	1/9/2019	SCALE 1:12	WEIGHT
			SHEET 4/5	



PARTS LIST		
ITEM	PART NUMBER	DESCRIPTION
50	D1	1.75 X .120 DOM
51	D2	2.00 X .120 DOM
52	D3	2.00 X .120 DOM
53	D4	2.00 X .120 DOM
54	D5	1.75 X .120 DOM
55	D6	1.75 X .120 DOM
56	D7	1.75 X .120 DOM
57	D8	1.75 X .120 DOM
58	D9	1.75 X .120 DOM
59	D10	1.75 X .120 DOM
60	W1	1.50 X .120 DOM
61	W2	1.50 X .120 DOM
62	W3	1.50 X .120 DOM
63	W4	1.50 X .120 DOM

		PROJECT		
		TITLE Chevy Ext Race Cage Section D & W Roof & Windshield		
APPROVED	SIZE	CODE	DWG NO	REV
CHECKED	B			
DRAWN	J. M. Simmons	1/9/2019	SCALE 1:12	WEIGHT
			SHEET 5/5	