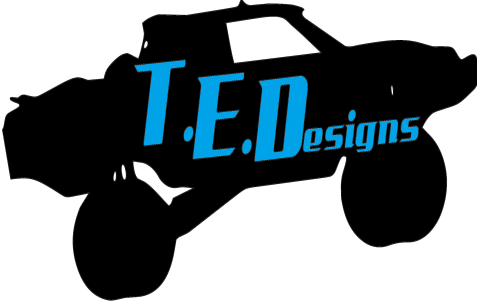
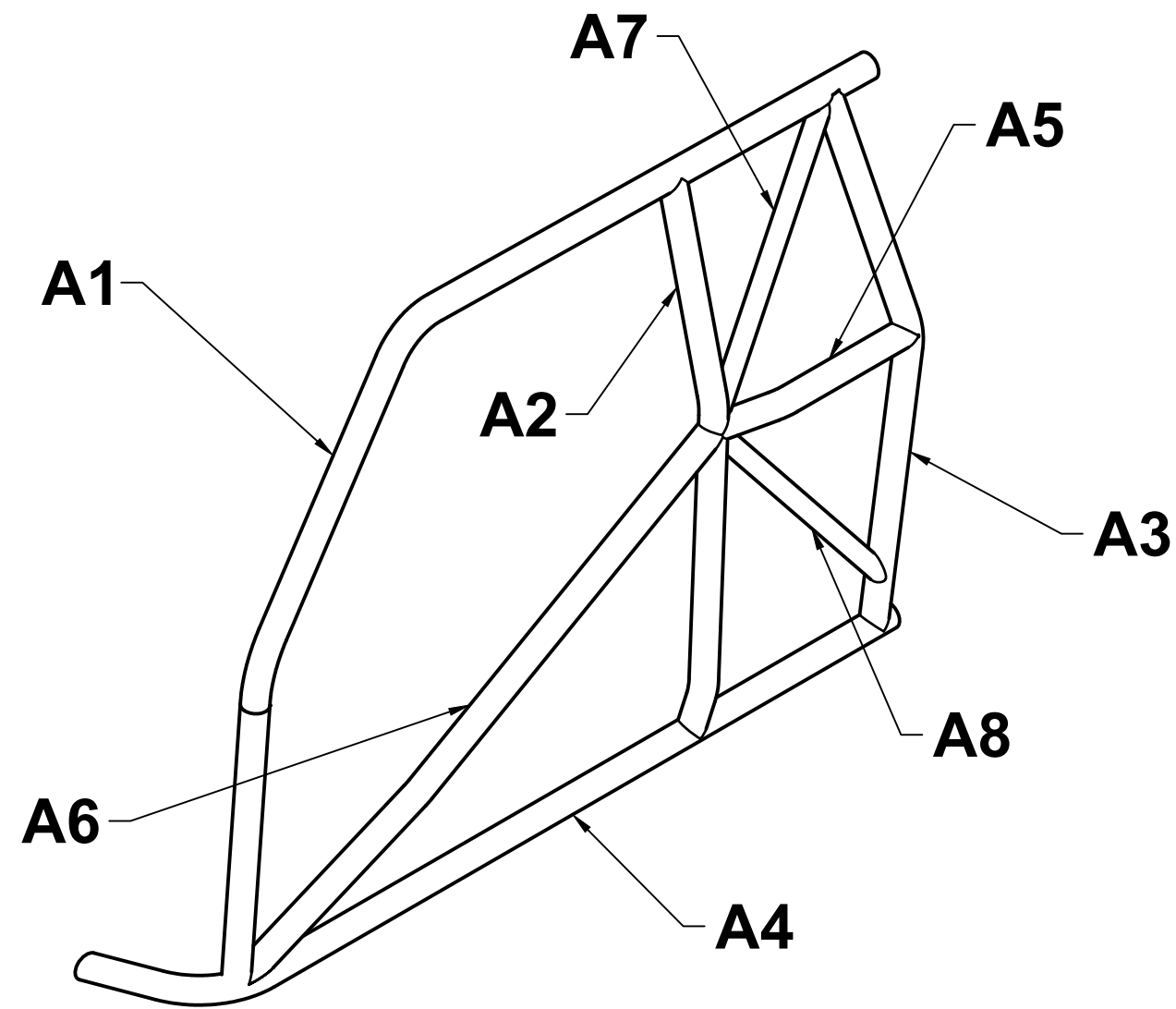
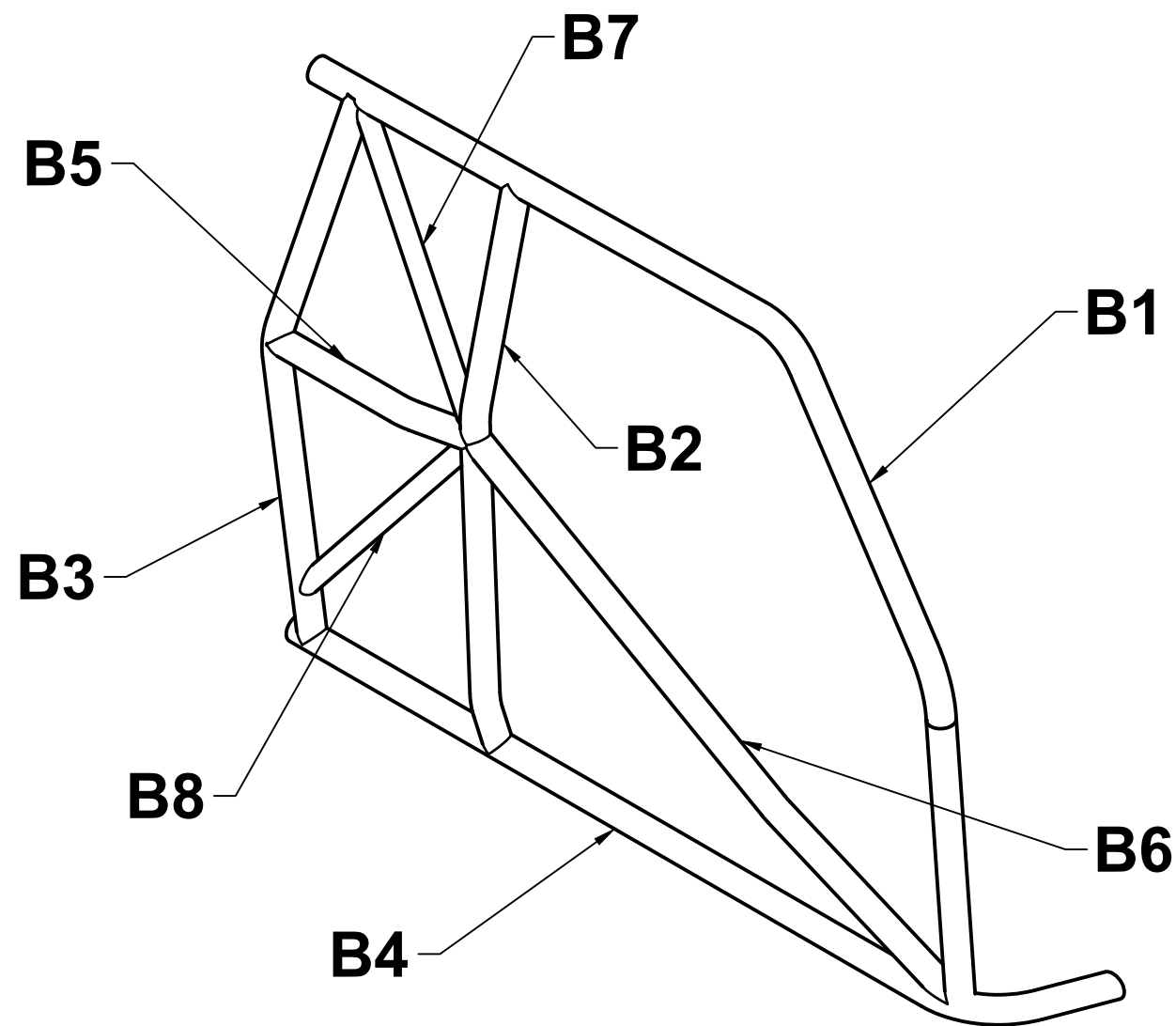
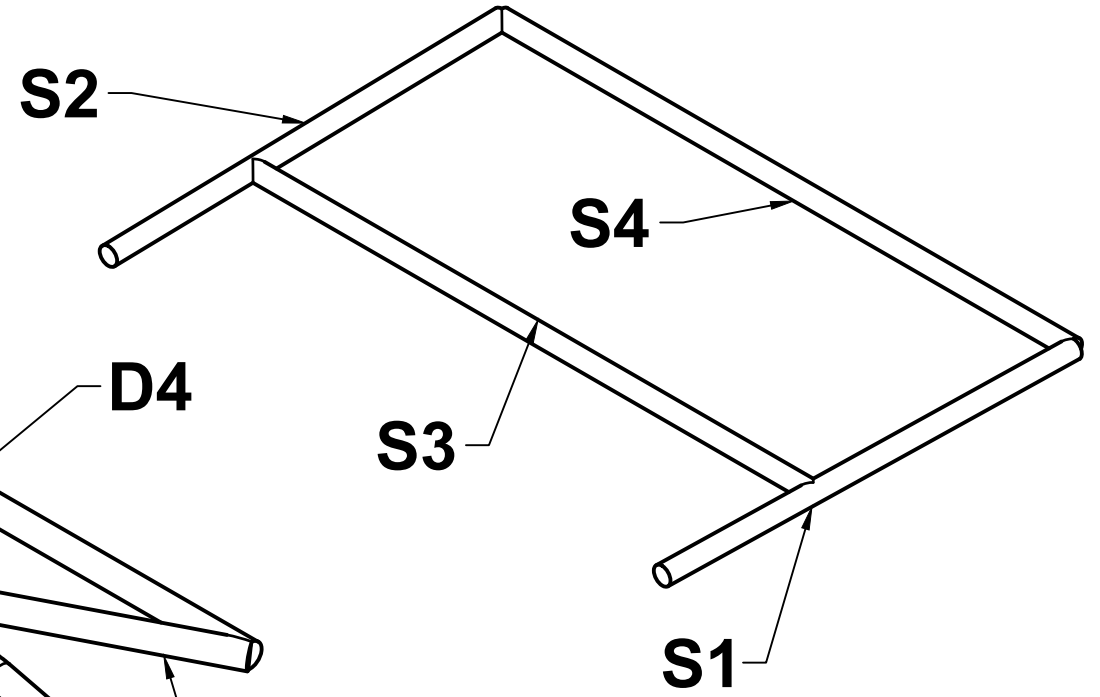
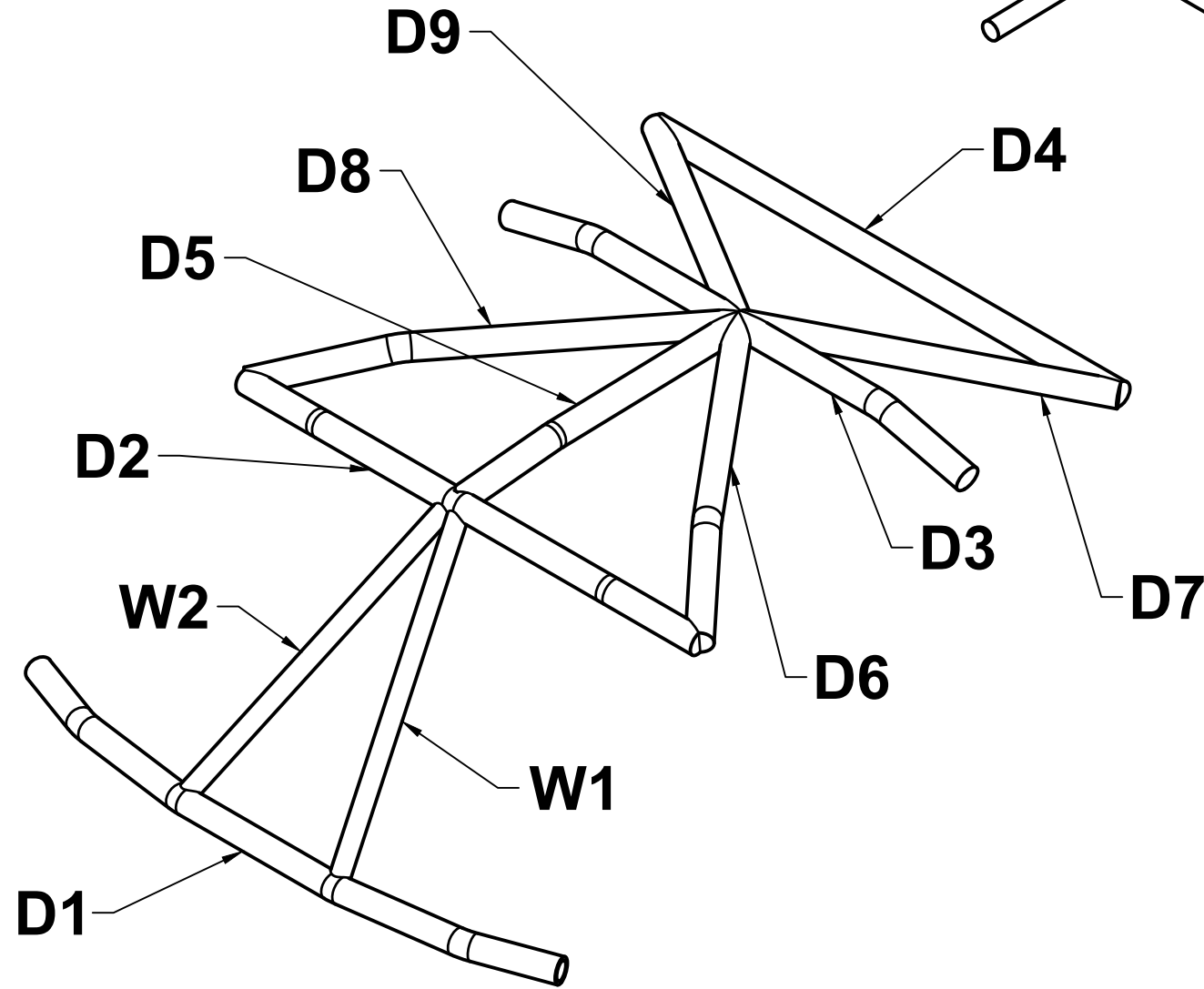
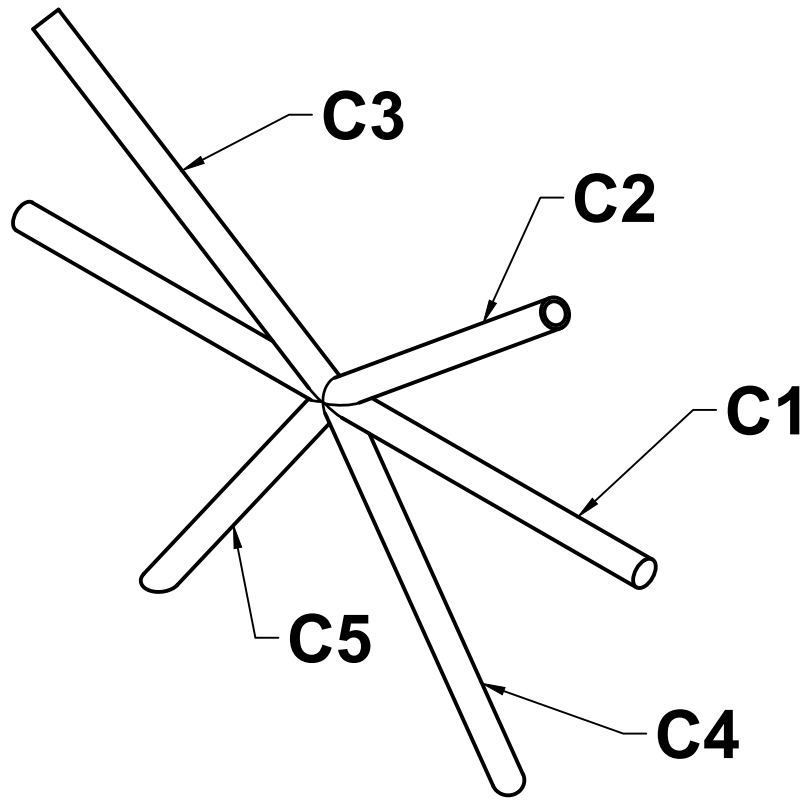


<p>UNLESS OTHERWISE SPECIFIED</p>		<p>PROJECT</p>			
<p>UNITS ARE IN INCHES TOLERANCES: DECIMAL X.XX ±0.03 DECIMAL X.XXX ±0.005 ANGULAR X° ±0.5</p>		<p>TITLE Ford Ranger Interior Cage</p>			
<p>INTERPRET GEOMETRIC TOLERANCING PER: ASME Y14.5</p>	<p>APPROVED</p>	<p>SIZE</p>	<p>CODE</p>	<p>DWG NO</p>	<p>REV</p>
<p>CONFIDENTIAL AND PROPRIETARY THE INFORMATION CONTAINED IN THIS DRAWING IS THE SOLE PROPERTY OF MIDNIGHT 4X4 LLC & SIMMONS INDUSTRIES LLC. ANY REPRODUCTION IN PART OR AS A WHOLE WITHOUT WRITTEN CONSENT IS PROHIBITED.</p>	<p>CHECKED</p>	<p>B</p>	<p>SCALE 1:12</p>		<p>WEIGHT</p>
<p>DRAWN J. M. Simmons 6/20/2018</p>		<p>SHEET 1/3</p>		<p>WEIGHT</p>	



<p>UNLESS OTHERWISE SPECIFIED</p> <p>UNITS ARE IN INCHES TOLERANCES: DECIMAL X.XX ±0.03 DECIMAL X.XXX ±0.005 ANGULAR X° ±0.5</p> <p>INTERPRET GEOMETRIC TOLERANCING PER: ASME Y14.5</p> <p>CONFIDENTIAL AND PROPRIETARY THE INFORMATION CONTAINED IN THIS DRAWING IS THE SOLE PROPERTY OF MIDNIGHT 4X4 LLC & SIMMONS INDUSTRIES LLC. ANY REPRODUCTION IN PART OR AS A WHOLE WITHOUT WRITTEN CONSENT IS PROHIBITED.</p>	PROJECT		<p>Ford Ranger Interior Cage</p>		
	APPROVED	SIZE	CODE	DWG NO	REV
	CHECKED	B			
DRAWN J. M. Simmons 6/20/2018	SCALE 1:12	WEIGHT	SHEET 2/3		



<p>UNLESS OTHERWISE SPECIFIED</p> <p>UNITS ARE IN INCHES TOLERANCES: DECIMAL X.XX ±0.03 DECIMAL X.XXX ±0.005 ANGULAR X° ±0.5</p> <p>INTERPRET GEOMETRIC TOLERANCING PER: ASME Y14.5</p> <p>CONFIDENTIAL AND PROPRIETARY THE INFORMATION CONTAINED IN THIS DRAWING IS THE SOLE PROPERTY OF MIDNIGHT 4X4 LLC & SIMMONS INDUSTRIES LLC. ANY REPRODUCTION IN PART OR AS A WHOLE WITHOUT WRITTEN CONSENT IS PROHIBITED.</p>	PROJECT				
	APPROVED	SIZE	CODE	DWG NO	REV
	CHECKED	B			
DRAWN J. M. Simmons 6/20/2018	SCALE 1:12	WEIGHT	SHEET 3/3		